

UV510A series HD Video Conference Camera

Full HD, Wide View Angle, Multiple Video Interfaces, Multi-protocols, Multi-lens

The UV510A series camera offers perfect functions, superior performance and rich interfaces. The features include advanced ISP processing algorithms to provide vivid images with a strong sense of depth, high resolution, and fantastic color rendition. It supports H.264/H.265 encoding which makes motion video more fluent and clear under low bandwidth conditions.

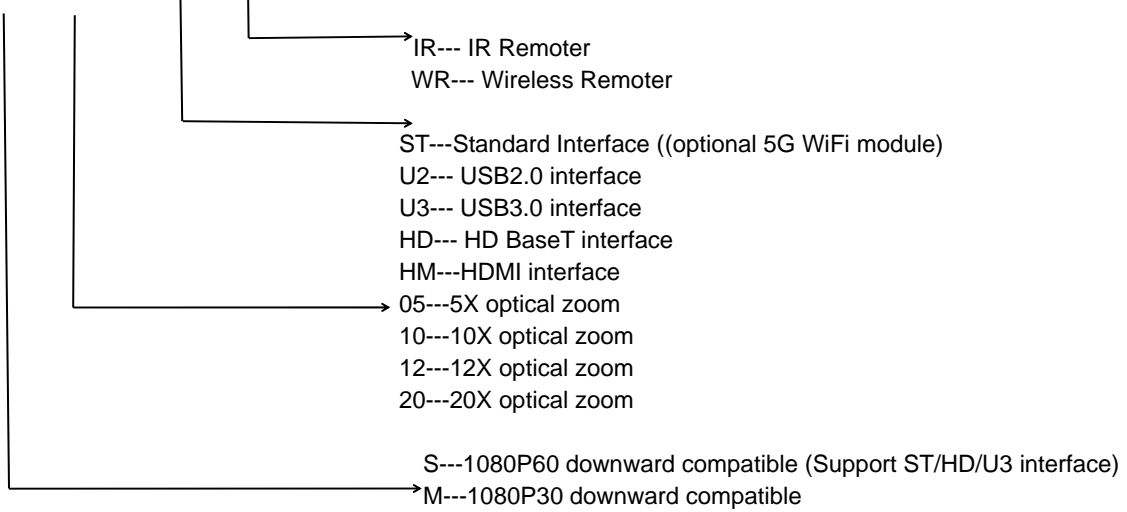


Key Features

- **Superb High-definition Image**
UV510A adopts **1/2.8 inch**, 2.07 megapixel high quality CMOS sensor. Resolution is up to 1920x1080 with frame rate up to 60fps.
- **Multiple Optical Zoom Lens**
5X,10X,12X,20X and other optical zoom lens for options. The lens adopts 83.7° wide angle without distortion.
- **Leading Auto Focus Technology**
Leading auto focus algorithm makes lens auto focus more quickly, accurately and stably.
- **Low Noise and High SNR**
Low Noise CMOS effectively ensure high SNR of camera video. The adoption of advanced 2D/3D noise reduction technology not only further reduces the noise, but also ensuring image sharpness.
- **Multiple Audio Output Interfaces**
Support HDMI, SDI, USB, Wired LAN, Wireless LAN (optional 5G WiFi module). SDI supports to transmit 100 meters under the 1080P60 format.
- **Multiple Audio/Video Compression Standard**
Support H.264/H.265 video compression, AAC, MP3 and G.711A audio compression and 1920x1080 resolution with frame rate up to 60fps compression.
- **Audio Input Interface**
Support 8000,16000,32000,44100,48000 sampling frequency and AAC,MP3,PCM audio coding.
- **Multiple Network Protocols**
Support ONVIF, GB/T28181, RTSP、RTMP protocols , RTMP push mode, which is easy to link streaming media server (Wowza,FMS), RTP multicast mode and network full command VISCA control protocol.
- **Control Interface**
RS485,RS232. RS-232 supports cascade function, which is convenient for installation.
- **Multiple Control Protocol**
Support VISCA、PELCO-D、PELCO-P protocols and Automatic identification protocol.
- **Extremely Quiet PTZ**
Adopting step driving motor mechanism and motor drive controller with high precision is to ensure PTZ works smoothly with low speed and without noise.
- **Low-Power Sleep Function**
Support low-power sleep/wake up, the consumption is lower than 400mW under sleep mode.
- **Multiple Preset**
Support 255 preset positions (the remote controller is set to 10 preset positions).
- **Multiple Remote Controller**
Users can choose infrared remote controller or wireless remote controller according to the environmental conditions. 2.4G wireless remote controller is not affected by the angle, distance, infrared interference.
- **Wide Application**
Tele-education,Lecture Capture,Webcasting, Videoconferencing,Tele-training,Tele-medicine, Interrogation and Emergency command systems.

Order No.

UV510AX—XXX—XXX—XX



Technical Specification

Model	UV510A-05	UV510A-10	UV510A-12	UV510A-20
Camera, Len Parameter				
Sensor	1/2.8 inch high quality HD CMOS sensor			
Effective Pixels	16: 9, 2.07 megapixel			
Video Format	DVI(HDMI)/SDI video format 1080P60/50/30/25/59.94/29.97; 1080I60/50/59.94; 720P60/50/30/25/59.94/29.97 U3 interface video format 1) U3: 1920X1080P60/50/30/25 ; 1280X720P60/50/30/25 ; 960X540P30 ; 640X360P30; 640X480P30 ; 352X288P30 ; 960X540P30 ; 800X600P30 ; 2) U3 compatible with U2: 960X540P30; 640X360P30; 1280X720P10/15; 720X576P50; 720X480P60; 640X480P30 ; 352X288P30 ; 800X600P30 ; U2 interface video format: 176x144/320x240/320x180/352x288/640x480/720x480/720x576/ 640x360/800X600/960X540/1024X576/1024X768/1280X720/1920X1080P30/25/20/15/10/5			
Optical Zoom	5X f=3.1~15.5mm	10X f=4.7~47mm	12X f=3.9~46.8mm	20X f=5.5~110mm
View Angle	20°(tele)-- 83.7°(wide)	6.43°(tele)--60.9°(wide)	6.3°(tele)--72.5°(wide)	3.3°(tele)--54.7°(wide)
AV	F1.8 – F2.8	F1.6 – F3.0	F1.8 – F2.4	F1.6 – F3.5
Digital Zoom	10X			
Minimum Illumination	0.5Lux (F1.8, AGC ON)			
DNR	2D & 3D DNR			
White Balance	Auto / Manual/ One Push/3000K/3500K/4000K/4500K/5000K/5500K/6000K/6500K/7000K			
Focus	Auto/Manual/A key focus			
Aperture/Electronic Shutter	Auto/Manual			
BLC	ON/OFF			
WDR	OFF/ Dynamic level adjustment			
Video Adjustment	Brightness,Color,Saturation,Contrast,Sharpness,B/W mode,Gamma curve			
SNR	>55dB			
Input/Output Interface				



Video Interfaces	UV510A-05/10/12/20-ST Model:HDMI,SDI,LAN, RS232 (Ring through RS232 output)、RS485、 A-IN UV510A-05/10/12/20-U2 Model:USB2.0,LAN,RS232 (Ring through RS232 output)、 A-IN UV510A-05/10/12/20-U3 Model:USB3.0,LAN,RS232 (Ring through RS232 output)、 A-IN UV510A-05/10/12/20-HD Model:HDBaseT、 LAN 、 A-IN UV510A-05/10/12/20-HDMI Model:HDMI、 LAN、 RS232 (input)
Video Output Interfaces	HDMI、 SDI、 LAN、 USB3.0、 USB2.0
Image Stream	Double stream output
Video Compression Format	H.264, H.265
Control Protocol	VISCA/Pelco-D/Pelco-P;Baud Rate:115200/9600/4800/2400bps
Audio Input Interface	A-IN: Double track 3.5mm linear input
Audio Compression Format	AAC/MP3/G.711A
Network Interface	100M IP port(100BASE-TX) 5G WiFi (optional) .
Network Protocol	RTSP,RTMP,ONVIF,GB/T28181,Network VISCA Control Protocol, Support remote upgrade, reboot and reset.
Control Interface	RS232 (Ring through RS232 output) , RS485
Power Interface	HEC3800 outlet (DC12V)
Power Adapter	Input: AC110V-AC220V. Output: DC12V/1.5A
Input voltage	DC12V±10%
Input current	1A (Maximum)
Power Consumption	12W(Maximum)
PTZ Parameter	
Pan/TiltRotation	±170°,-30°~+90°
Pan Control Speed	0.1 -60°/sec
Tilt Control Speed	0.1-30°/sec
Preset Speed	Pan: 60°/sec, Tilt: 30°/sec
Preset Number	255 presets (10 presets by remote controller)
Other Parameter	
Storage Temperature	-10℃~+60℃
Storage Humidity	20%~95%
Working Temperature	-10℃~+50℃
Working Humidity	20%~80%
Dimension	150mmX150mmX167.5mm
Weight (around)	1.4KG
Using environment	Indoor
Accessory	
Random Accessory	12V/1.5A power supply, RS232 control line, USB3.0 connection line (U3 model), USB2.0 connection line (U2 model), remote controller, Manual, warranty card
Optional Accessories	Mounting bracket

Dimension Pictures: (unit:mm)

